

'92 TOYOTA 4x4 PICKUP

READ THIS BEFORE YOU BEGIN Cement all parts unless otherwise indicated.

This kit may be built more than one way. Look over this instruction sheet carefully before you begin building. After you've planned your car, follow the assembly instructions and "TEST FIT" the parts without cementing. This will familiarize you with the location of parts.

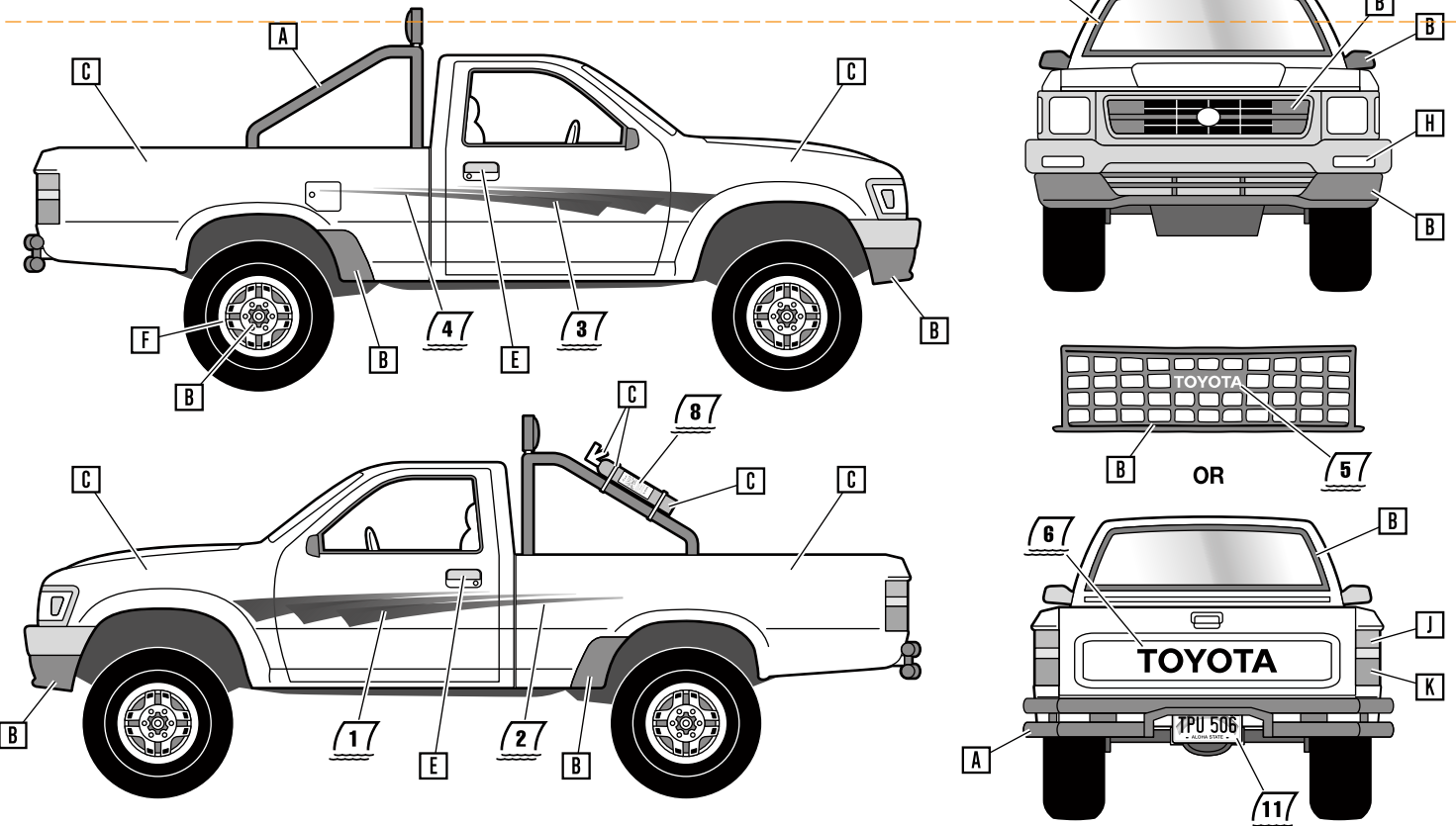
For best results, the various sub-assemblies and components should be painted before any chrome parts are attached. For example: When attaching non chrome engine parts, it is best to cement them in place and paint as a unit.

AMT® kits are molded from the finest high-impact styrene plastic. Use only paint and

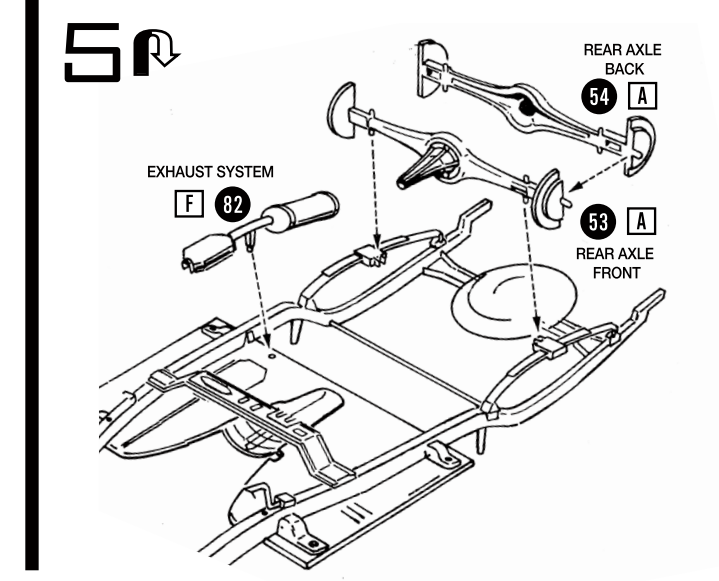
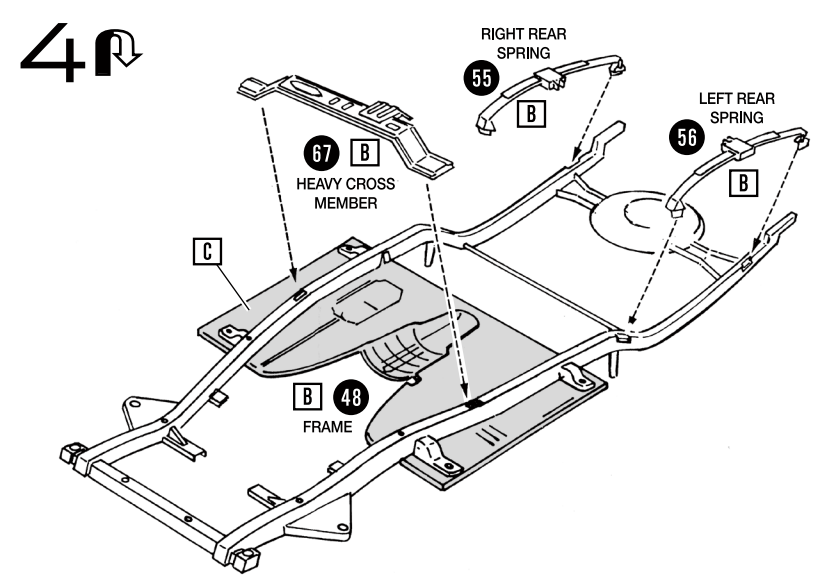
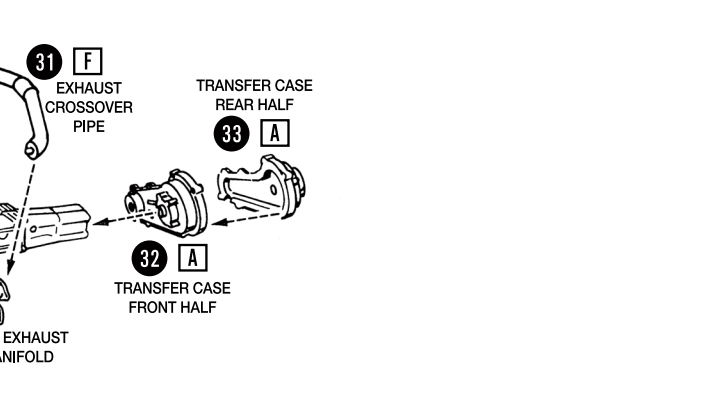
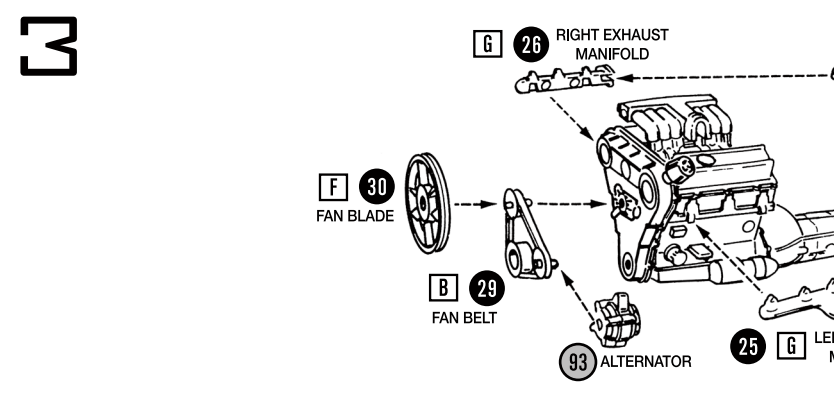
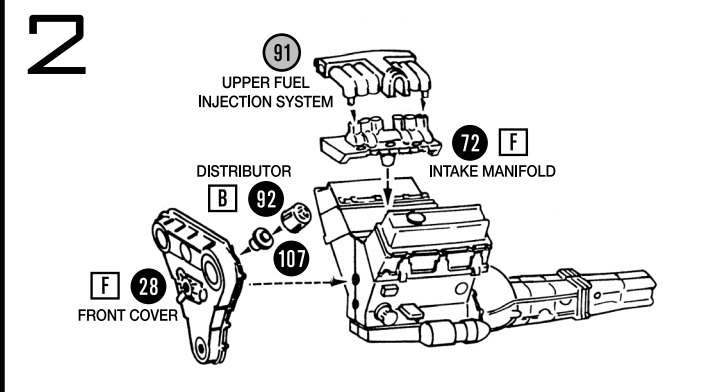
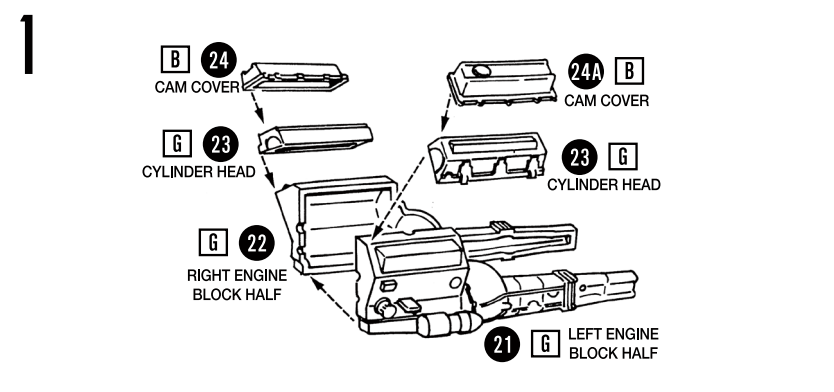
cement made for styrene. Trim excess plastic from parts before joining. When attaching "chrome" or painted parts, scrape plating or paint away where parts are to be joined. Cement all parts unless otherwise indicated by the instructions. Use just enough cement to join parts and be careful not to smear cement on exposed surfaces.

Built according to the instructions on this sheet, you should have no trouble assembling your kit. Just FOLLOW THE NUMBERS as the instructions are numbered in order of assembly. NOTE: Chrome and clear parts are indicated (see key on back page).

DECALS AND PAINT



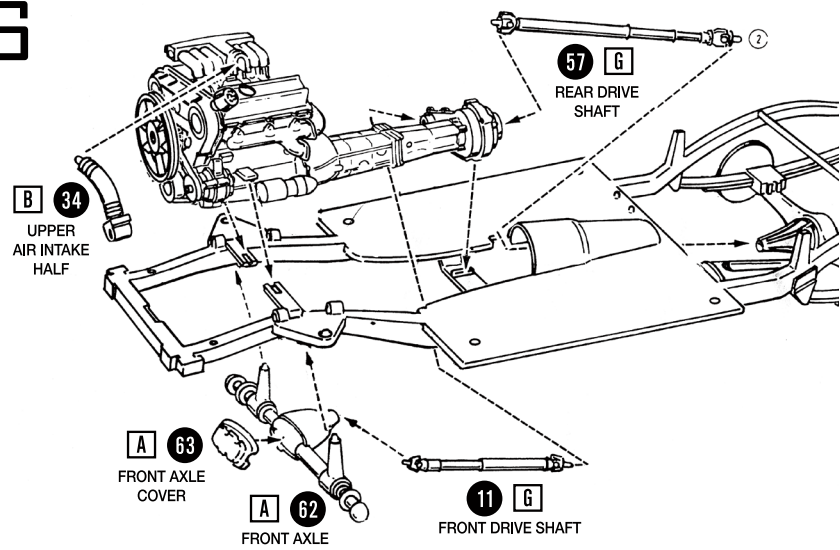
SYMBOLS		PAINT COLORS	
Part #	Chrome Part	Gloss Black	White
Clear Part	Decal	Flat Black	Chrome
		Metallic Graphite	Aluminum
		Steel	Red
		Grey (Interior)	Clear Amber
		Clear Red	



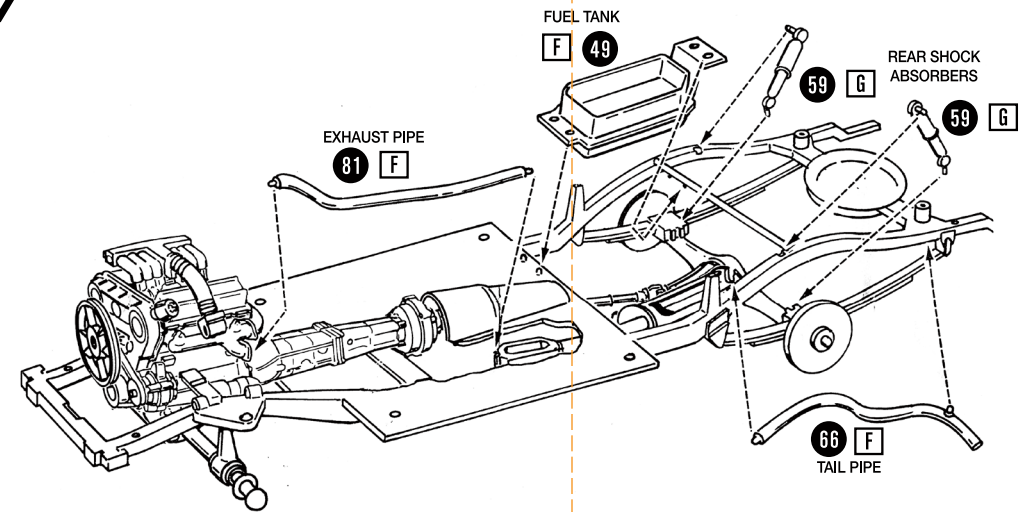
ROUND 2, LLC
4073 MEGHAN BEELER COURT
SOUTH BEND, IN 46628
INTERNATIONAL HOBBYCRAFT (UK) LTD
10 TEMPLE BACK
BRISTOL BS1 6FL ENGLAND

This vehicle body is approved by TOYOTA MOTOR CORPORATION. AMT and design and ROUND 2 and design is a registered trademark of Round 2, LLC. (c)2018 Round 2, LLC, South Bend, IN 46628 USA. Product and packaging made in the USA. Decals made in China. All rights reserved.

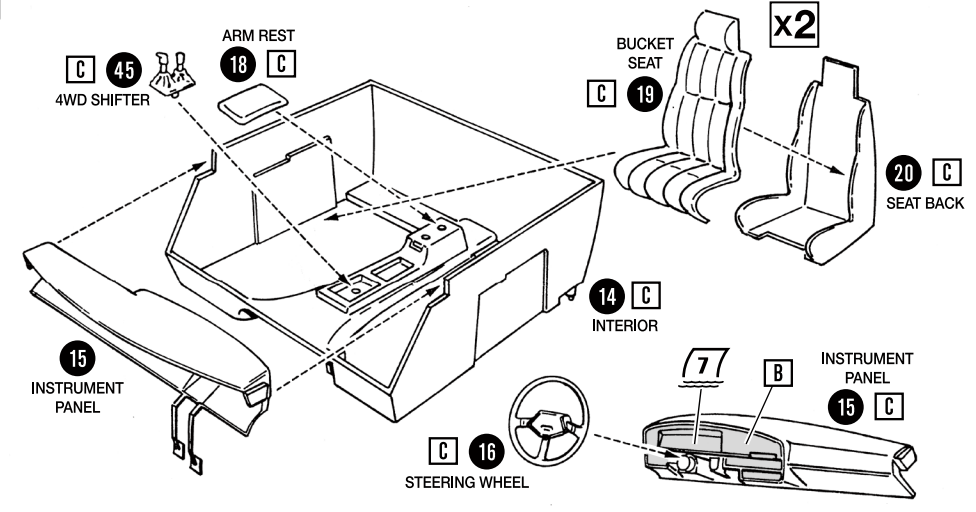
6



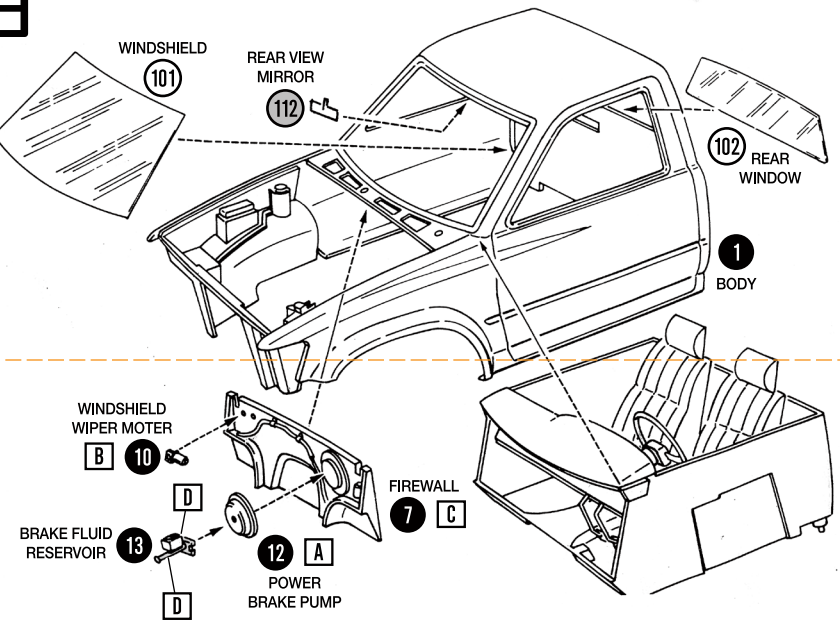
7



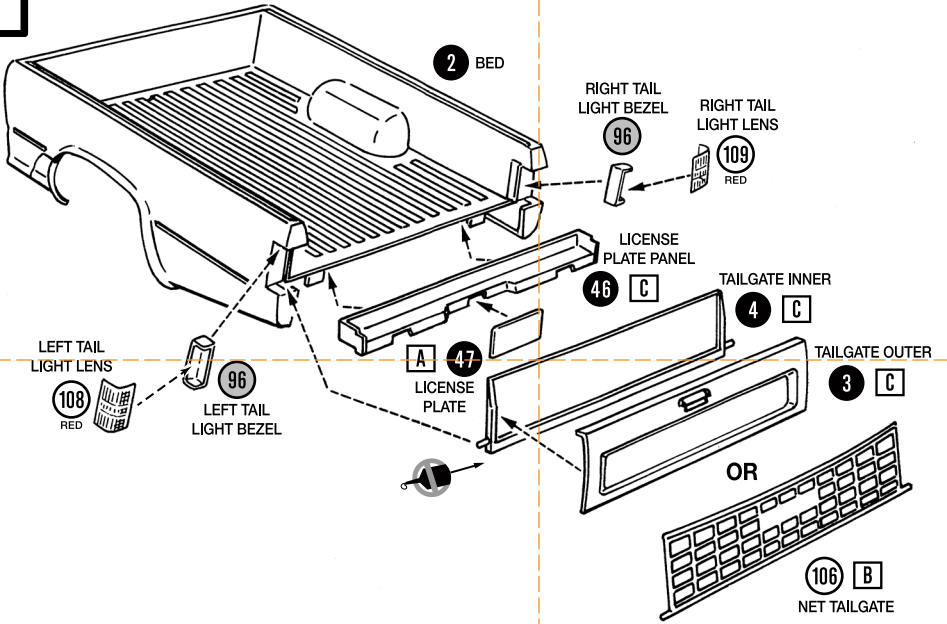
8



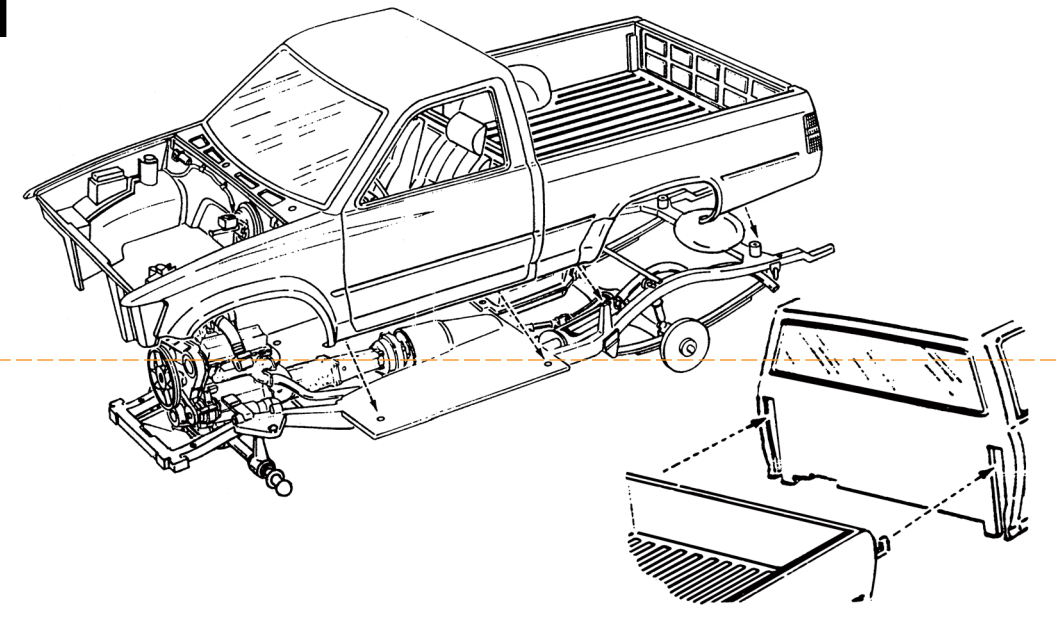
9



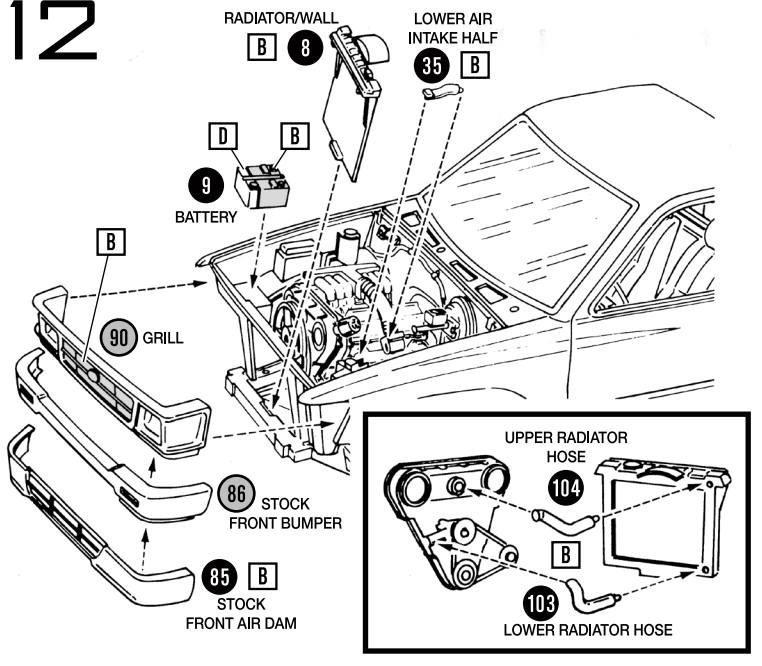
10



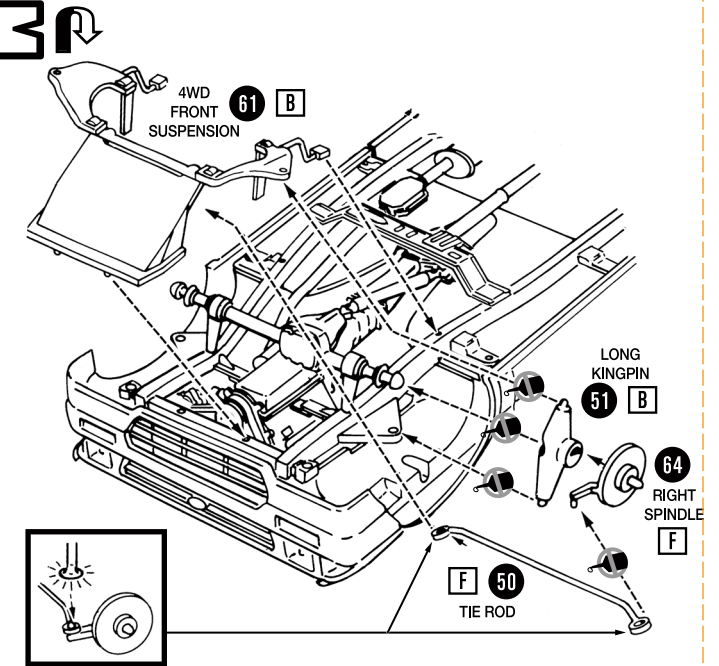
11



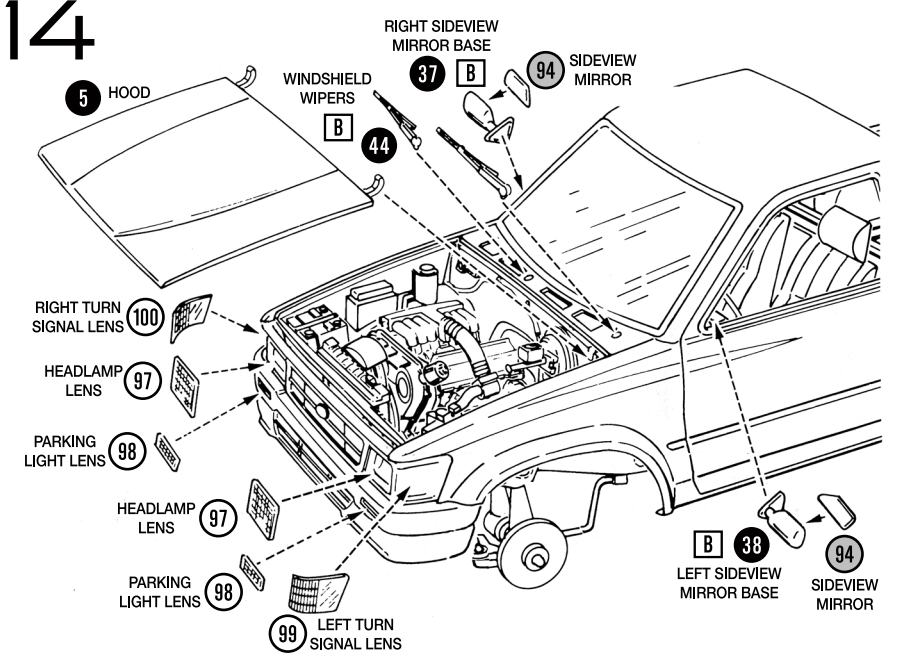
12



13



14



15

