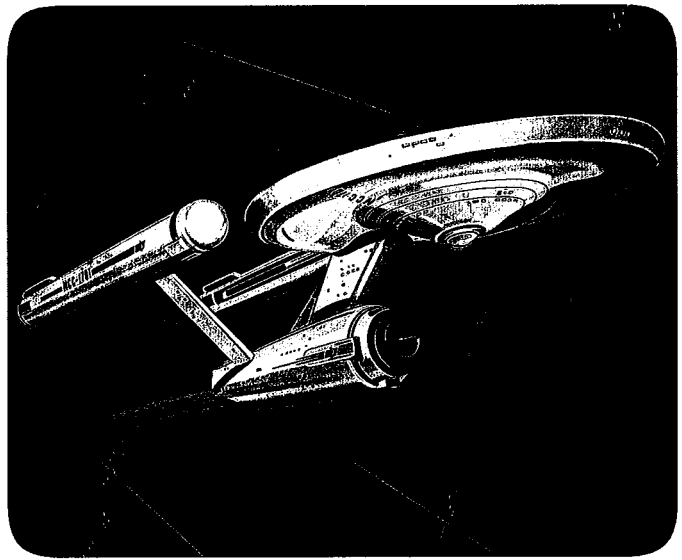




U.S.S.

ENTERPRISE™



ASSEMBLY 1.

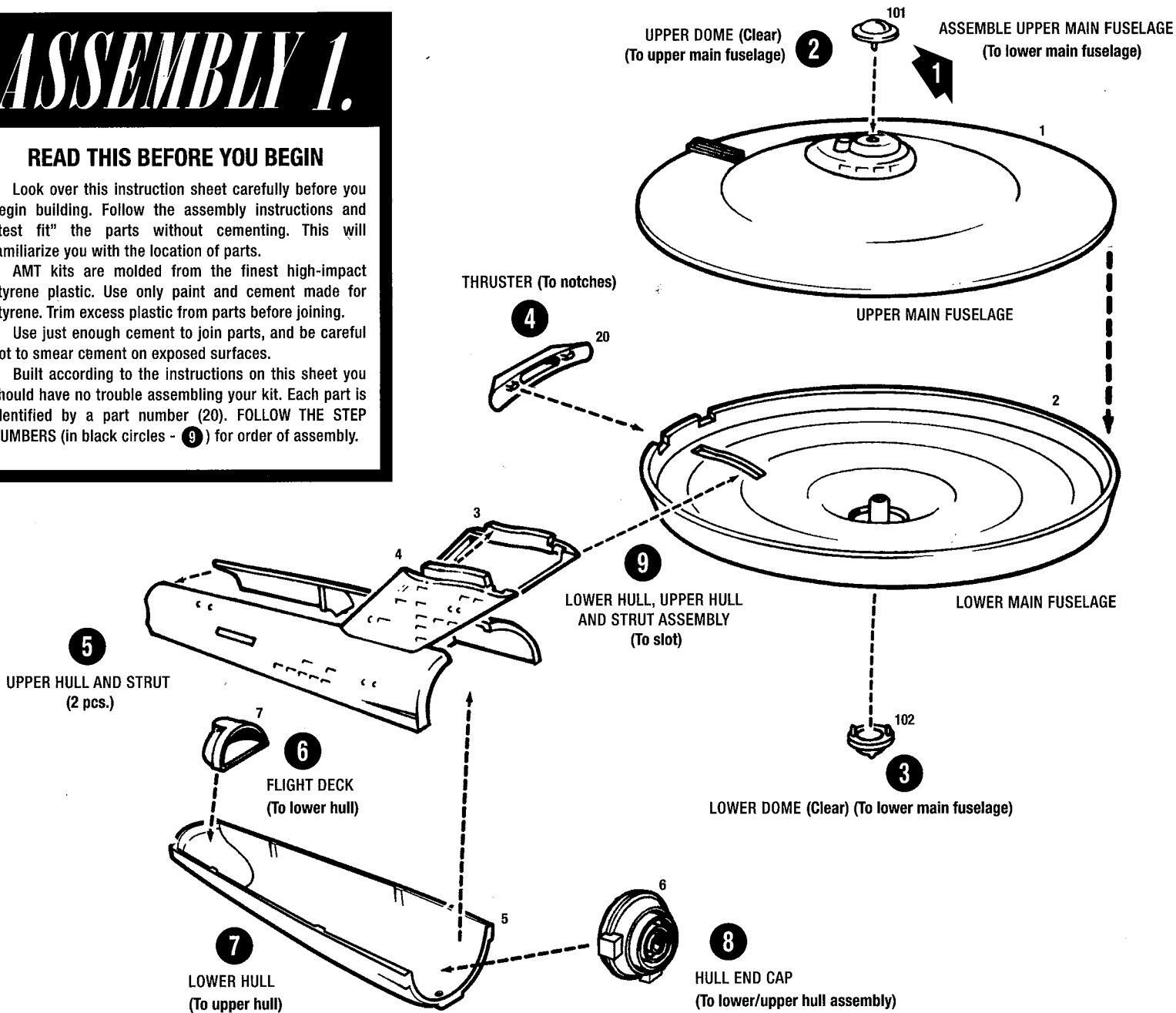
READ THIS BEFORE YOU BEGIN

Look over this instruction sheet carefully before you begin building. Follow the assembly instructions and "test fit" the parts without cementing. This will familiarize you with the location of parts.

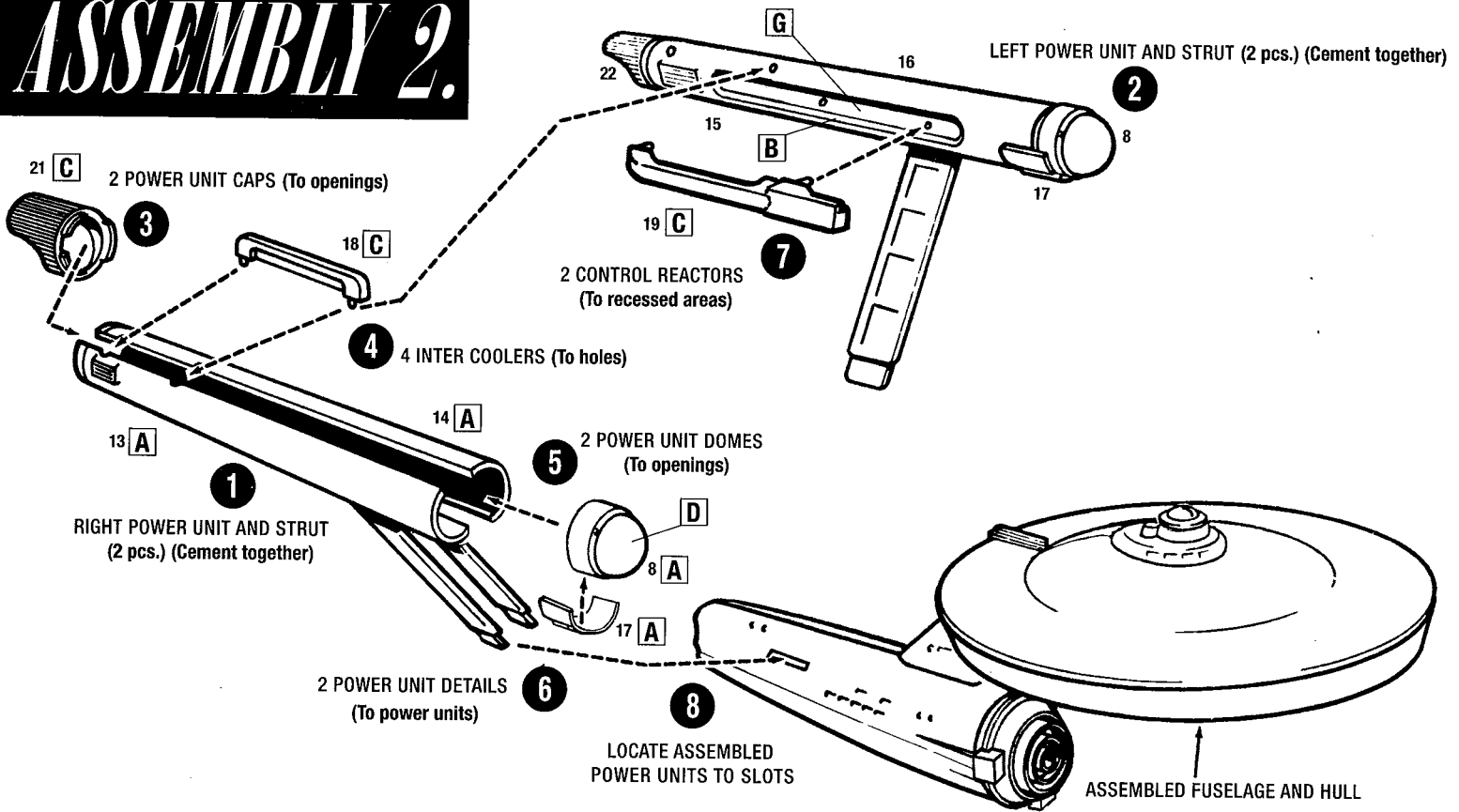
AMT kits are molded from the finest high-impact styrene plastic. Use only paint and cement made for styrene. Trim excess plastic from parts before joining.

Use just enough cement to join parts, and be careful not to smear cement on exposed surfaces.

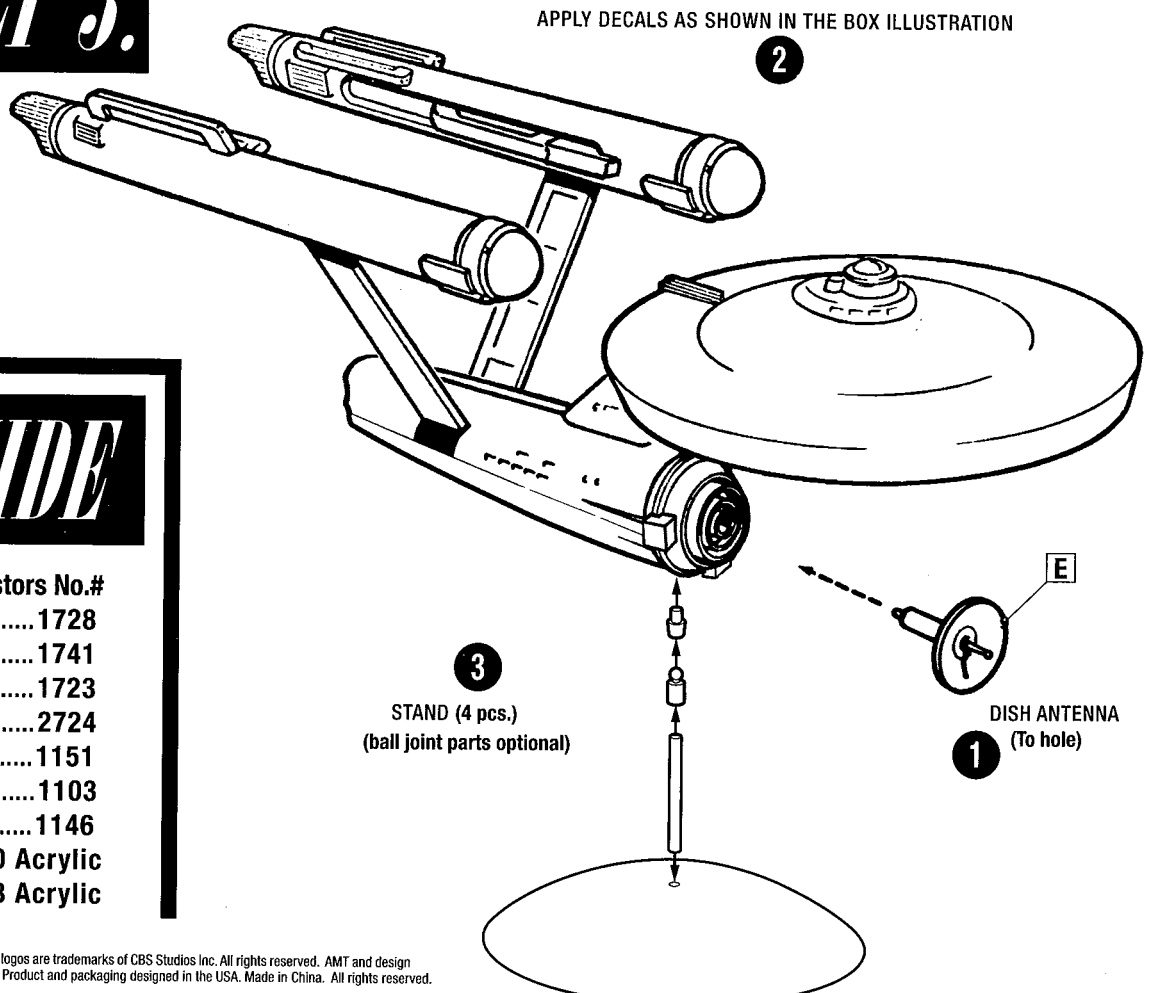
Build according to the instructions on this sheet you should have no trouble assembling your kit. Each part is identified by a part number (20). FOLLOW THE STEP NUMBERS (in black circles - 9) for order of assembly.



ASSEMBLY 2.



ASSEMBLY 3.



PAINT GUIDE

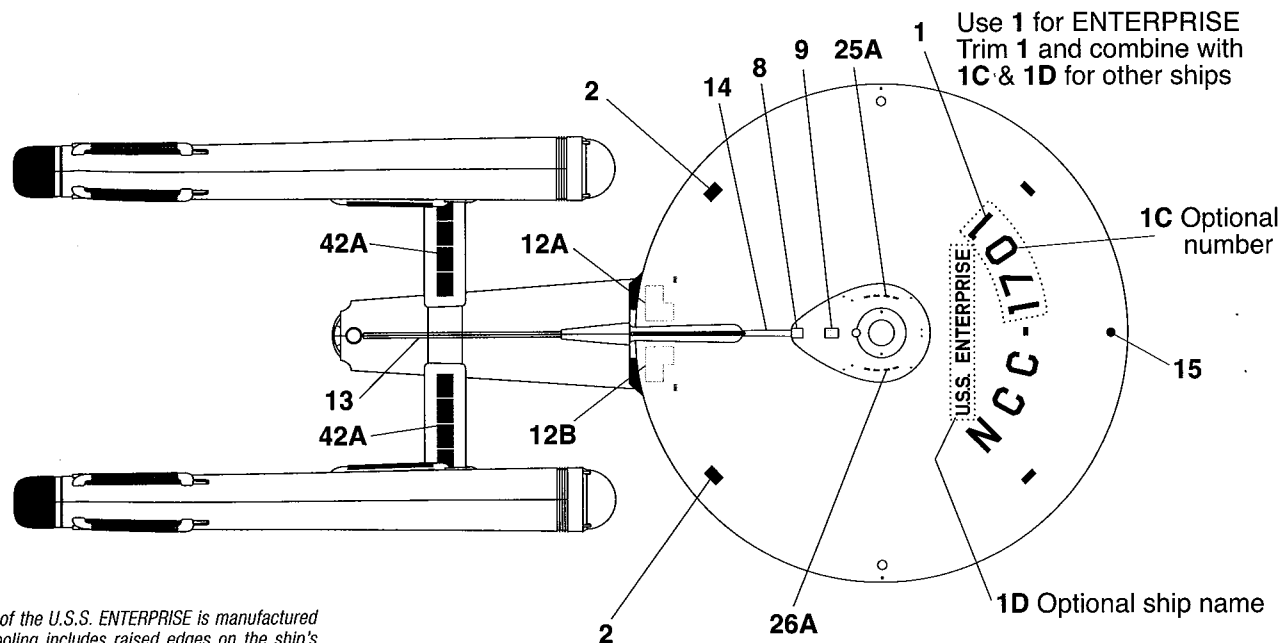
Name	Testors No.#
A Light Ghost Gray.....	1728
B Dark Ghost Gray.....	1741
C Gunship Gray.....	1723
D Stoplight Red Metallic.....	2724
E Copper.....	1151
F Red.....	1103
G Chrome Silver.....	1146
H Clear Red.....	4630 Acrylic
I Clear Green.....	4688 Acrylic

DECAL PLACEMENT A.

PRODUCTION SERIES STARSHIP

U.S.S. ENTERPRISE™ starship as seen in STAR TREK, with optional markings (1C) (1D) (21B) (22B) for the Constitution-class starships. Some trimming of individual elements will be necessary for optional ships.

U.S.S. CONSTELLATION --- NCC-1017	U.S.S. HOOD ----- NCC-1703
U.S.S. CONSTITUTION --- NCC-1700	U.S.S. INTREPID ----- NCC-1631
U.S.S. DEFIANT ----- NCC-1764	U.S.S. LEXINGTON ----- NCC-1709
U.S.S. EXCALIBUR ----- NCC-1664	U.S.S. POTESKIN ----- NCC-1657
U.S.S. EXETER ----- NCC-1672	U.S.S. REPUBLIC ----- NCC-1371
U.S.S. FARRAGUT ----- NCC-1647	U.S.S. YORKTOWN ----- NCC-1717

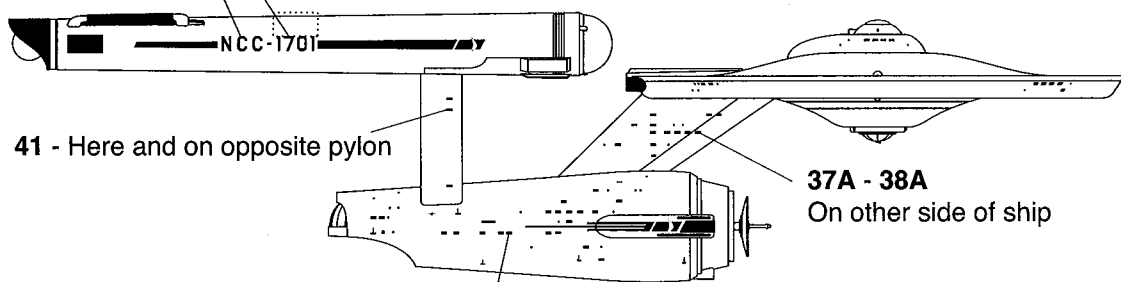


Use 1 for ENTERPRISE Trim 1 and combine with 1C & 1D for other ships

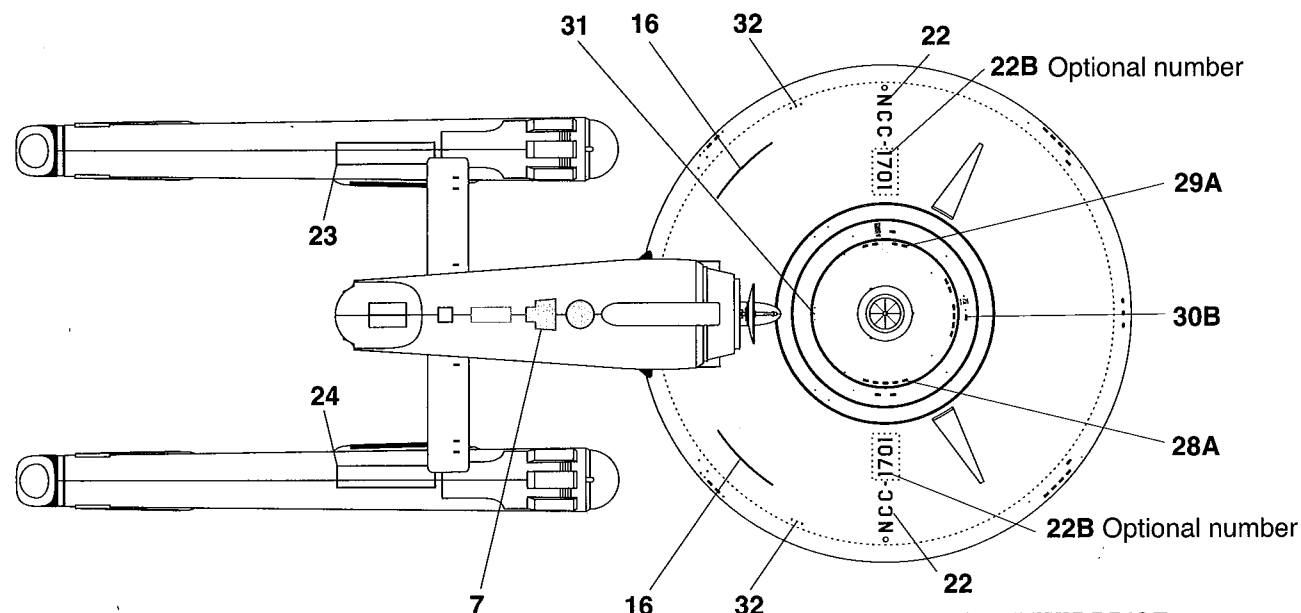
20 - 21 On opposite nacelle

21B Optional number

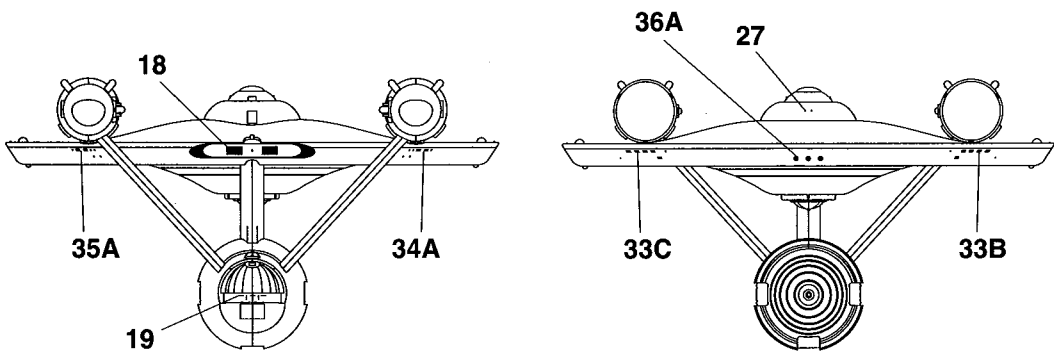
A note about the window decals: This kit of the U.S.S. ENTERPRISE is manufactured using vintage AMT tooling. This original tooling includes raised edges on the ship's surface, which indicate the edges of the windows. The modeler has the option of painting in these windows as indicated by the raised edges (for a more vintage look), or sanding down the raised edges and using the more accurate decals included.



Use 22 for ENTERPRISE
Combine 22 with 22B for other ships



Use 22 for ENTERPRISE
Combine 22 with 22B for other ships



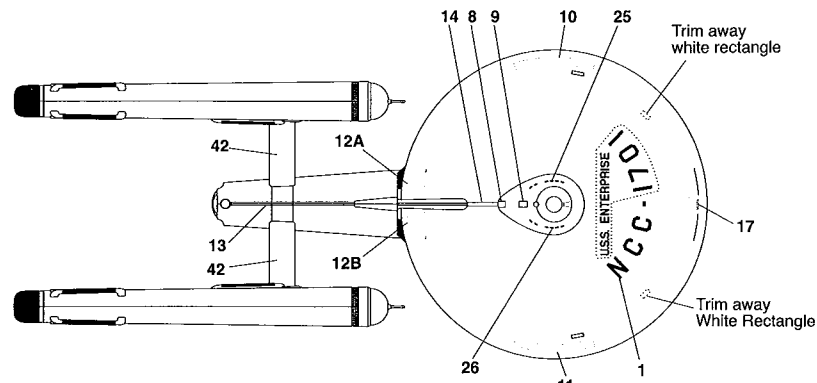
DECAL PLACEMENT B.

1st PILOT VERSION STARSHIP

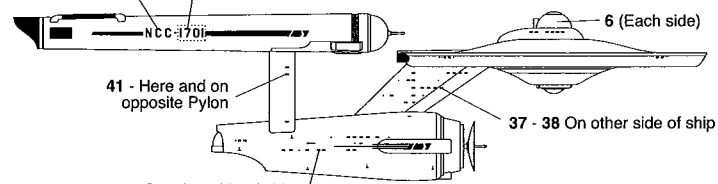
U.S.S. ENTERPRISE™ first pilot version, is the starship as seen in the first television pilot episode "The Cage."

Note: Some trimming of individual elements will be necessary to accurately portray this ship.

A note about the diagrams: In the interest of accuracy, the diagrams on this page reflect stylistic differences between each of the starships. However, please note that this kit, which is manufactured using vintage AMT tooling, does not include optional parts — such as the needles on the nacelles — to build each of these versions. The resourceful modeler may wish to scratch-build these parts to give their starships a more accurate appearance.

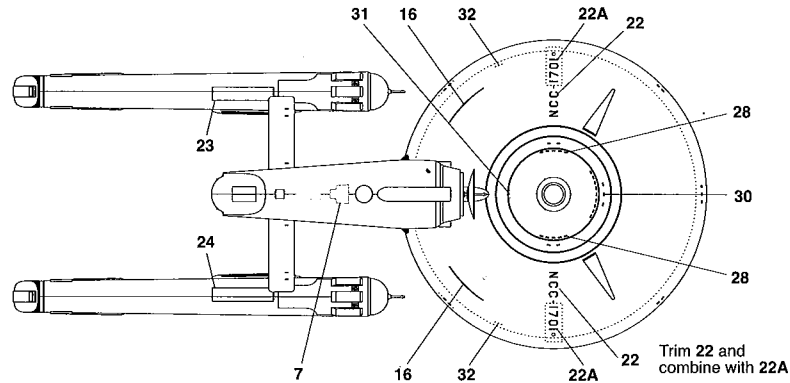


Trim 20 - 21 and combine with 21A here and on opposite Nacelle
20 - 21 21A

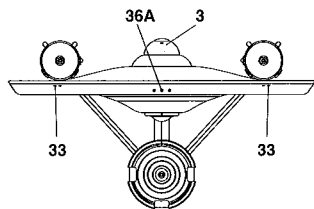
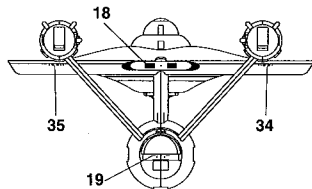


40 - 39 On other side of ship

Trim 22 and combine with 22A



Trim 22 and combine with 22A

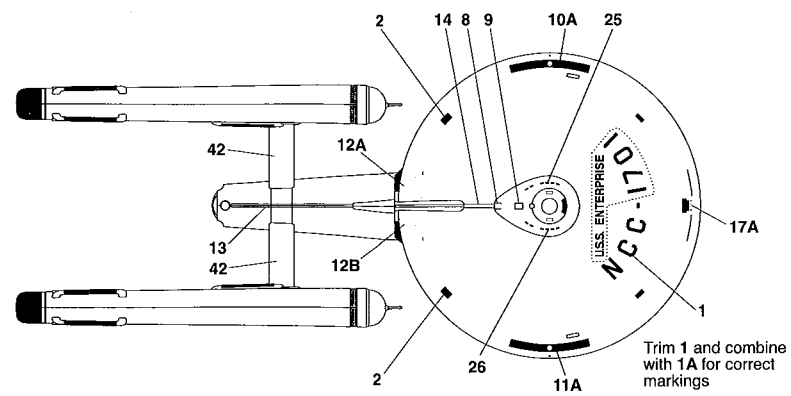


DECAL PLACEMENT C.

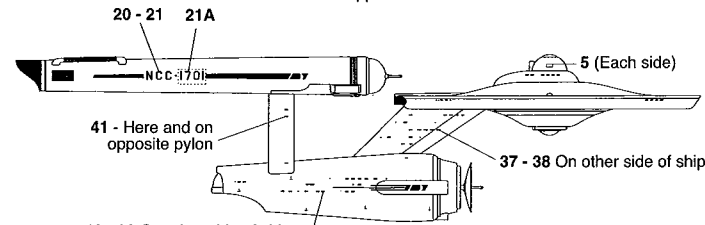
2nd PILOT VERSION STARSHIP

U.S.S. ENTERPRISE™ second pilot version, is the starship as seen in the second television pilot episode "Where No Man Has Gone Before."

Note: Some trimming of individual elements will be necessary to accurately portray this ship.

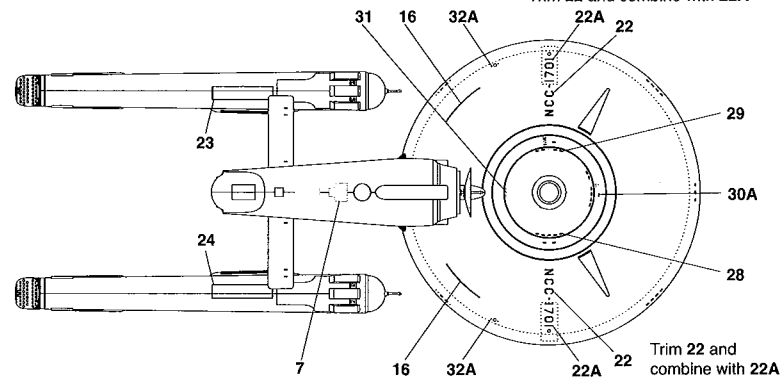


Trim 20 - 21 and combine with 21A here and on opposite nacelle

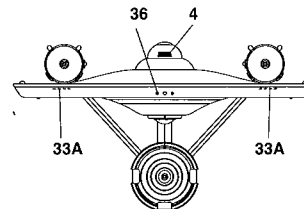
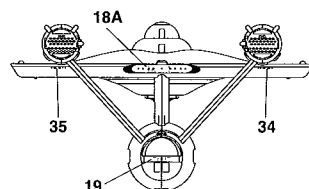


40 - 39 On other side of ship

Trim 22 and combine with 22A



Trim 22 and combine with 22A

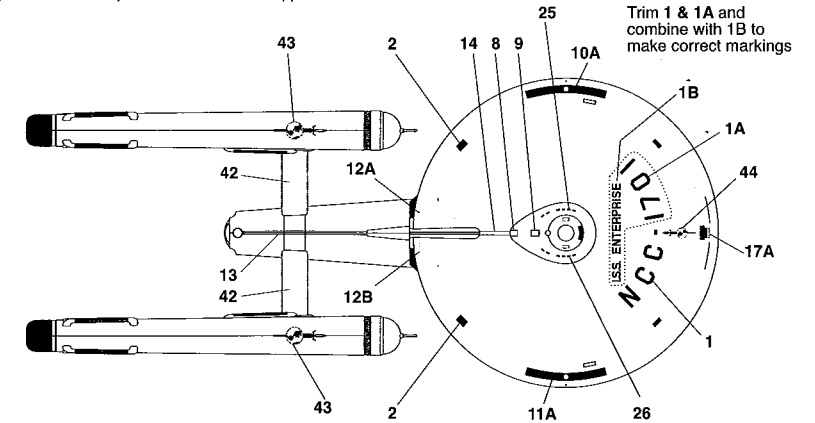


DECAL PLACEMENT D.

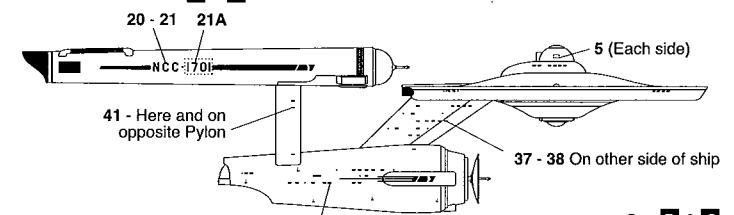
MIRROR UNIVERSE STARSHIP

I.S.S. ENTERPRISE™ is the starship as seen in a television episode titled "Mirror, Mirror." This ship exists in a parallel mirror universe and is the opposite of the U.S.S. ENTERPRISE.

Note: Some trimming of individual elements will be necessary to accurately portray this ship.

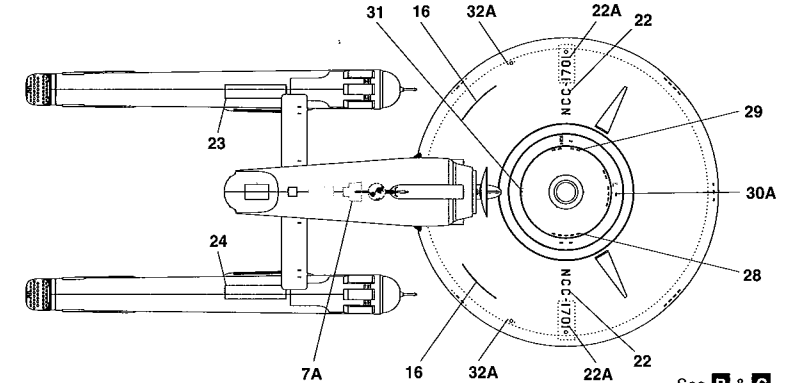


See B & C



40 - 39 On other side of ship

See B & C



See B & C

